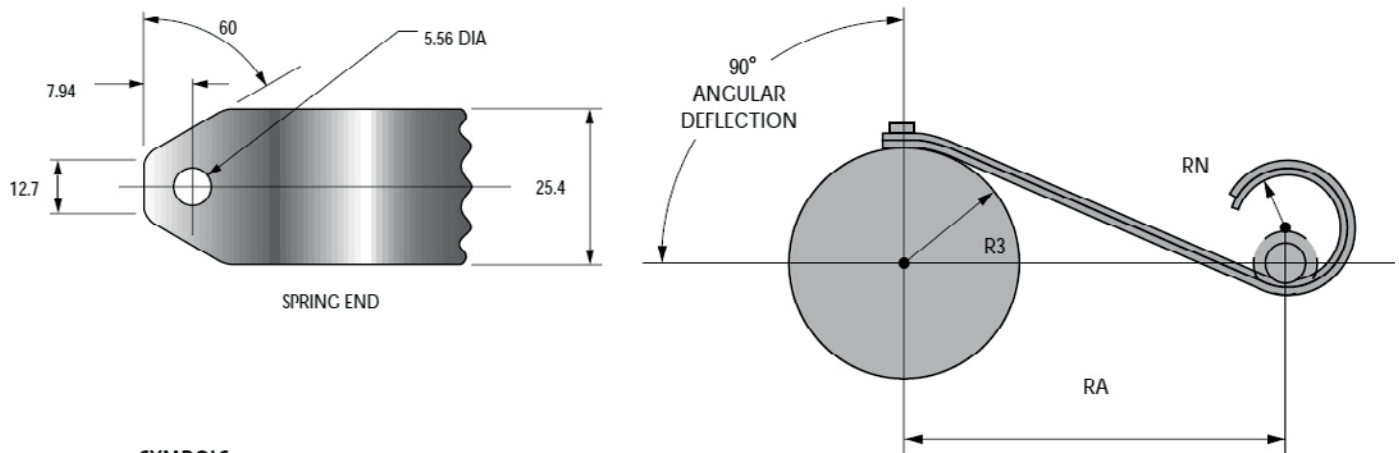


# MAXIMUM ENERGY CONSTANT TORQUE SPRINGS

## EB-RW

| SPRING NUMBER | W    | T    | L   | RN | R3 | RA  | TOTAL TORQUE OUTPUT FOR NUMBER OF LEAVES / LAMINATIONS +/- 10% |      |      |      |      |      |                    |      |
|---------------|------|------|-----|----|----|-----|--|------|------|------|------|------|--------------------|------|
|               |      |      |     |    |    |     | 1  | 2    | 3    | 4    | 5    | 6    | 7                  | 8    |
|               |      |      |     |    |    |     | mm   |      |      |      |      |      | NM (Newton Meters) |      |
| RW11          | 25,4 | 0,25 | 130 | 9  | 21 | 69  | 1,2  | 2,5  | 3,7  | 5,0  | 6,2  | 7,5  | 8,7                | 10,0 |
| RW12          | 25,4 | 0,31 | 145 | 11 | 25 | 79  | 1,8  | 3,6  | 5,4  | 7,2  | 7,0  | 10,8 | 12,5               | 14,3 |
| RW13          | 25,4 | 0,36 | 165 | 13 | 29 | 93  | 2,4  | 4,9  | 7,3  | 9,7  | 12,2 | 14,6 | 17,1               | 19,5 |
| RW14          | 25,4 | 0,38 | 180 | 14 | 32 | 99  | 2,8  | 5,6  | 8,4  | 11,2 | 14,0 | 16,8 | 19,6               | 22,4 |
| RW15          | 25,4 | 0,41 | 180 | 15 | 34 | 102 | 3,2  | 6,4  | 9,5  | 12,7 | 15,9 | 19,1 | 22,3               | 25,5 |
| RW16          | 25,4 | 0,46 | 200 | 17 | 38 | 114 | 4,0  | 8,0  | 12,1 | 16,1 | 20,1 | 24,2 | 28,2               | 31,8 |
| RW17          | 25,4 | 0,51 | 230 | 18 | 42 | 127 | 5,0  | 10,0 | 14,9 | 19,9 | 24,9 | 29,8 | 34,8               | 39,8 |
| RW18          | 25,4 | 0,56 | 250 | 20 | 46 | 140 | 6,0  | 12,0 | 17,0 | 24,0 | 30,0 | 35,9 | 41,9               | 47,9 |
| RW19          | 25,4 | 0,64 | 280 | 23 | 53 | 159 | 7,7  | 15,5 | 23,2 | 31,0 | 38,7 | 45,5 | 54,2               | 61,9 |

NOTE: NOT MORE THAN 8 LEAVES TO BE USED TOGETHER IN ANY ONE SET.  
 WHEN ORDERING PLEASE QUOTE SPRING REFERENCE AND NUMBER OF LEAVES PER SET, I.E. RW 15/8 \*REFERENCE ONLY, MAY BE VARIED TO MEET TORQUE SPECIFICATION.



### SYMBOLS

- T = Material thickness
- L = Spring length (ref only)
- RN = Free coil radius
- R3 = Torque drum radius
- RA = Optimum centre spacing

### LAMINATED CONSTANT TORQUE SPRINGS FOR 90° ANGULAR DEFLECTIONS

The EB-RW laminated spring is a short deflection form of spring motor and generally consists of two or more laminations. The torque being the sum of the number of Spiroflex springs used, a maximum of 8 springs can be used in any one assembly, providing increased torque in the least possible space.

Our standard range of maximum energy springs are designed for 90° maximum angular movement with an average fatigue life of 5,000 cycles. However, special Spiroflex springs can be manufactured to provide higher fatigue lives and greater deflections. To discuss your needs, please call our Technical Sales Department who will be pleased to help.