

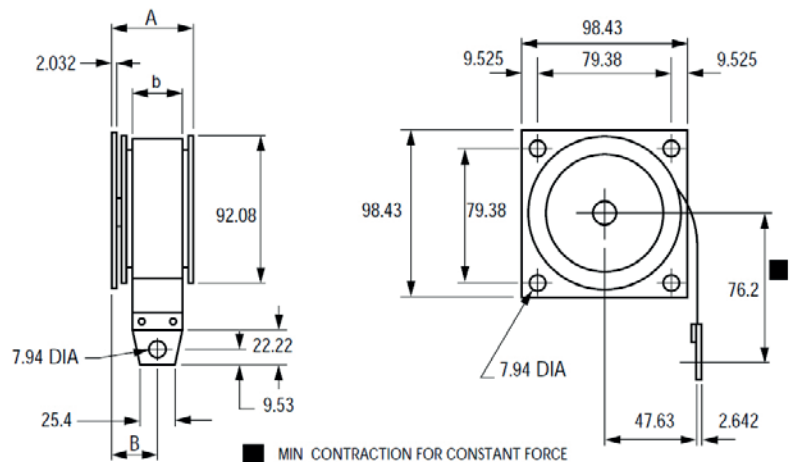
STANDARD EXTENSION SPRING ASSEMBLIES

EXTENSION SPRINGS

ASSEMBLY No.	ASSEMBLY TYPE	INCORPORATES SPRING No.	A mm	B mm	b mm	LOAD +/- 10%		EXTENSION mm	AVG. FATIGUE LIFE CYCLES
						NEWTONS	Kg		
SA242	Single	SR68	36	21	25	10	1,0	920	40000
SA243	Single	SR69	36	21	25	14	1,4	1120	40000
SA244	Single	SR70	36	21	25	16	1,6	1320	40000
SA245	Single	SR71	36	21	25	18	1,9	1520	40000
SA246	Single	SR72	49	27	38	21	2,1	1120	40000
SA247	Single	SR44	36	21	25	24	2,5	1320	15000
SA248	Single	SR74	49	27	38	28	2,9	1520	40000
SA249	Single	SR45	36	21	25	30	3,1	1520	15000
SA250	Single	SR75	61	33	51	32	3,3	1320	40000
SA251	Single	SR48	49	27	38	45	4,6	1520	15000
SA252	Single	SR50	49	27	38	70	7,2	2230	15000
SA253	Single	SR51	61	33	51	80	8,2	1930	15000
SA254	Single	SR52	61	33	51	94	9,5	2240	15000
SA255	Single	SR24	49	27	38	103	10,5	2240	5000
SA256	Single	SR26	61	33	51	138	14,1	2240	5000
SN2883	Single	SN2882	61	33	51	94	9,6	1300	15000
SA257	Double	SR68	36	21	25	20	2,0	920	40000
SA258	Double	SR69	36	21	25	28	2,8	1120	40000
SA259	Double	SR70	36	21	25	32	3,3	1320	40000
SA260	Double	SR71	36	21	25	37	3,8	1520	40000
SA261	Double	SR72	49	27	38	41	4,2	1120	40000
SA262	Double	SR44	36	21	25	48	4,9	1320	15000
SA263	Double	SR74	49	27	38	56	5,7	1520	40000
SA264	Double	SR45	36	21	25	61	6,2	1520	15000

NOTE: ALL FIGURES STATED ARE FOR REFERENCE ONLY, FOR DETAILED SPECIFICATION CONTACT OUR SALES DEPARTMENT.

MATERIALS: STAINLESS STEEL SPRINGS, MILD STEEL PRESSED PARTS (ZINC PLATED & CLEAR PASSIVATED)



STANDARD EXTENSION SPRING ASSEMBLIES

EXTENSION SPRINGS

ASSEMBLY No.	ASSEMBLY TYPE	INCORPORATES SPRING No.	A mm	B mm	b mm	LOAD +/- 10%		EXTENSION mm	AVG. FATIGUE LIFE CYCLES
						NEWTONS	Kg		
SA265	Double	SR75	61	33	51	65	6,6	1320	40000
SA266	Double	SR48	49	27	38	91	9,3	1520	15000
SA267	Double	SR50	49	27	38	141	14,3	3340	15000
SA268	Double	SR51	61	33	51	160	16,3	1930	15000
SA269	Double	SR52	61	33	51	187	19,1	2240	15000
SA270	Double	SR24	49	27	38	206	21,1	2240	5000
SA271	Double	SR26	61	33	51	276	28,1	2240	5000
SN2817	Double	SN2882	61	33	51	188	19,2	1300	15000
SN4635 (LH)	Tandem	SR26	61	33	51	276	28,1	2100	5000
SN4635 (RH)	Tandem	SR26	61	33	51	276	28,1	2100	5000
SA275	Mini	SR6	-	-	-	4,4	0,45	360	5000
SA276	Mini	SR7	-	-	-	5,5	0,56	445	5000
SA277	Mini	SR32	-	-	-	2,8	0,29	330	15000
SA278	Mini	N2592	-	-	-	1,3	0,14	510	35000
SN7595	Mini	SN7595	-	-	-	3	0,31	510	16000

NOTE: ALL FIGURES STATED ARE FOR REFERENCE ONLY, FOR DETAILED SPECIFICATION CONTACT OUR SALES DEPARTMENT.

MATERIALS: STAINLESS STEEL SPRINGS, MILD STEEL PRESSED PARTS (ZINC PLATED & CLEAR PASSIVATED)

